

# VINCI M PRO

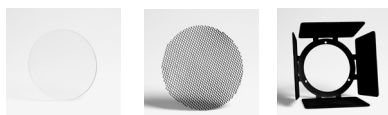
“The VINCI family of spotlights is produced in a wide range of models for different needs and preferences. Vinci can be tailored to meet your requirements of the tone and spectral composition in the lighting. There is also a range of accessories available. Developed and produced in Sweden”

LED-spotlight with passive cooling system.  
Die cast aluminium body, powder coat painted.  
Integral heatsink. Integral premium driver.  
Low ripple output current <4% to assure camera and scanner friendly performance.  
Rotation 365°. Vertical adjustment +/- 90°.  
Track mounted with 3-circuit adapter.



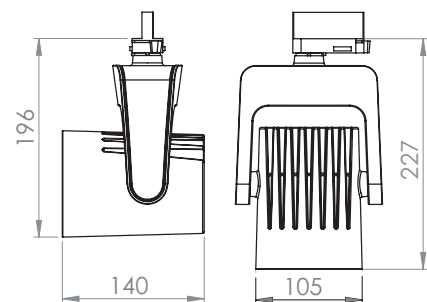
<b>Class of protection</b>	IP20, class I
<b>Colours</b>	White, black
<b>Weight total</b>	1600g
<b>Reflector</b>	High purity aluminium
<b>Lifetime</b>	50.000h L80/B10 at Ta 25°C
<b>Mounting</b>	3-circuit universal adaptor
<b>Voltage</b>	220-240V 50/60hz
<b>Ripple out. current</b>	< 4%. Flicker-free performance
<b>Qty per MCB</b>	Max 34pcs/MCB 16A type B
<b>Colour consistency</b>	3 SDCM
<b>Photobiological safety</b>	RG1
<b>Design</b>	Jesper Ståhl
<b>Dimming</b>	Not dimmable

- White  
 Black



## Accessories

Protective glass	204590
Honeycomb louvre	204591
Barndoors black	204592



# VINCI M PRO

Description	Reflector	CCT (K)	CRI	Load	Lumen	Load	Lumen	Lm/W	○ White	● Black																																																																																																																																																				
LIGHTSOURCE						LUMINAIRE			ART. No.																																																																																																																																																					
WARM WHITE 3000K (830)																																																																																																																																																														
Vinci M Pro 2000lm SP 830	Spot 14°	3000K	82	16W	2295	19W	2050	108	2045100	2045103																																																																																																																																																				
Vinci M Pro 2000lm ME 830	Medium 26°	3000K	82	16W	2295	19W	2050	108	2045101	2045104																																																																																																																																																				
Vinci M Pro 2000lm FL 830	Flood 40°	3000K	82	16W	2295	19W	2050	108	2045102	2045105																																																																																																																																																				
Vinci M Pro 3000lm SP 830	Spot 14°	3000K	82	23W	3260	27W	2905	107	2045200	2045203																																																																																																																																																				
Vinci M Pro 3000lm ME 830	Medium 26°	3000K	82	23W	3260	27W	2905	107	2045201	2045204																																																																																																																																																				
Vinci M Pro 3000lm FL 830	Flood 40°	3000K	82	23W	3260	27W	2905	107	2045202	2045205																																																																																																																																																				
<table border="1"> <thead> <tr> <th colspan="2">Spot</th> <th colspan="2">2000lm</th> <th colspan="2">3000lm</th> </tr> <tr> <th>m</th> <th>∅</th> <th>Lux</th> <th>Lux</th> <th>m</th> <th>∅</th> <th>Lux</th> <th>Lux</th> </tr> </thead> <tbody> <tr> <td>1</td> <td>0,24</td> <td>12895</td> <td>18290</td> <td>1</td> <td>0,42</td> <td>7799</td> <td>11106</td> </tr> <tr> <td>2</td> <td>0,43</td> <td>3224</td> <td>4573</td> <td>2</td> <td>0,84</td> <td>2777</td> <td>2777</td> </tr> <tr> <td>3</td> <td>0,70</td> <td>1433</td> <td>2032</td> <td>3</td> <td>1,25</td> <td>1234</td> <td>1234</td> </tr> <tr> <td>4</td> <td>1,00</td> <td>806</td> <td>1143</td> <td>4</td> <td>1,70</td> <td>487</td> <td>694</td> </tr> </tbody> </table>						Spot		2000lm		3000lm		m	∅	Lux	Lux	m	∅	Lux	Lux	1	0,24	12895	18290	1	0,42	7799	11106	2	0,43	3224	4573	2	0,84	2777	2777	3	0,70	1433	2032	3	1,25	1234	1234	4	1,00	806	1143	4	1,70	487	694	<table border="1"> <thead> <tr> <th colspan="2">Medium</th> <th colspan="2">2000lm</th> <th colspan="2">3000lm</th> </tr> <tr> <th>m</th> <th>∅</th> <th>Lux</th> <th>Lux</th> <th>m</th> <th>∅</th> <th>Lux</th> <th>Lux</th> </tr> </thead> <tbody> <tr> <td>1</td> <td>0,42</td> <td>7799</td> <td>11106</td> <td>1</td> <td>0,74</td> <td>3710</td> <td>5262</td> </tr> <tr> <td>2</td> <td>0,84</td> <td>2777</td> <td>2777</td> <td>2</td> <td>1,42</td> <td>928</td> <td>1316</td> </tr> <tr> <td>3</td> <td>1,25</td> <td>1234</td> <td>1234</td> <td>3</td> <td>2,18</td> <td>412</td> <td>585</td> </tr> <tr> <td>4</td> <td>1,70</td> <td>487</td> <td>694</td> <td>4</td> <td>2,91</td> <td>232</td> <td>329</td> </tr> </tbody> </table>						Medium		2000lm		3000lm		m	∅	Lux	Lux	m	∅	Lux	Lux	1	0,42	7799	11106	1	0,74	3710	5262	2	0,84	2777	2777	2	1,42	928	1316	3	1,25	1234	1234	3	2,18	412	585	4	1,70	487	694	4	2,91	232	329	<table border="1"> <thead> <tr> <th colspan="2">Flood</th> <th colspan="2">2000lm</th> <th colspan="2">3000lm</th> </tr> <tr> <th>m</th> <th>∅</th> <th>Lux</th> <th>Lux</th> <th>m</th> <th>∅</th> <th>Lux</th> <th>Lux</th> </tr> </thead> <tbody> <tr> <td>1</td> <td>0,74</td> <td>3710</td> <td>5262</td> <td>1</td> <td>0,74</td> <td>3237</td> <td>4539</td> </tr> <tr> <td>2</td> <td>1,42</td> <td>928</td> <td>1316</td> <td>2</td> <td>1,42</td> <td>809</td> <td>1135</td> </tr> <tr> <td>3</td> <td>2,18</td> <td>412</td> <td>585</td> <td>3</td> <td>2,18</td> <td>360</td> <td>504</td> </tr> <tr> <td>4</td> <td>2,91</td> <td>232</td> <td>329</td> <td>4</td> <td>2,91</td> <td>202</td> <td>284</td> </tr> </tbody> </table>						Flood		2000lm		3000lm		m	∅	Lux	Lux	m	∅	Lux	Lux	1	0,74	3710	5262	1	0,74	3237	4539	2	1,42	928	1316	2	1,42	809	1135	3	2,18	412	585	3	2,18	360	504	4	2,91	232	329	4	2,91	202	284	<p>3000K 830 Spectral power distributions</p>		
Spot		2000lm		3000lm																																																																																																																																																										
m	∅	Lux	Lux	m	∅	Lux	Lux																																																																																																																																																							
1	0,24	12895	18290	1	0,42	7799	11106																																																																																																																																																							
2	0,43	3224	4573	2	0,84	2777	2777																																																																																																																																																							
3	0,70	1433	2032	3	1,25	1234	1234																																																																																																																																																							
4	1,00	806	1143	4	1,70	487	694																																																																																																																																																							
Medium		2000lm		3000lm																																																																																																																																																										
m	∅	Lux	Lux	m	∅	Lux	Lux																																																																																																																																																							
1	0,42	7799	11106	1	0,74	3710	5262																																																																																																																																																							
2	0,84	2777	2777	2	1,42	928	1316																																																																																																																																																							
3	1,25	1234	1234	3	2,18	412	585																																																																																																																																																							
4	1,70	487	694	4	2,91	232	329																																																																																																																																																							
Flood		2000lm		3000lm																																																																																																																																																										
m	∅	Lux	Lux	m	∅	Lux	Lux																																																																																																																																																							
1	0,74	3710	5262	1	0,74	3237	4539																																																																																																																																																							
2	1,42	928	1316	2	1,42	809	1135																																																																																																																																																							
3	2,18	412	585	3	2,18	360	504																																																																																																																																																							
4	2,91	232	329	4	2,91	202	284																																																																																																																																																							
WARM WHITE 3000K (930)																																																																																																																																																														
Vinci M Pro 2000lm SP 930	Spot 14°	3000K	92	16W	2010	19W	1785	94	2045112	2045115																																																																																																																																																				
Vinci M Pro 2000lm ME 930	Medium 26°	3000K	92	16W	2010	19W	1785	94	2045113	2045116																																																																																																																																																				
Vinci M Pro 2000lm FL 930	Flood 40°	3000K	92	16W	2010	19W	1785	94	2045114	2045117																																																																																																																																																				
Vinci M Pro 3000lm SP 930	Spot 14°	3000K	92	23W	2815	27W	2505	92	2045212	2045215																																																																																																																																																				
Vinci M Pro 3000lm ME 930	Medium 26°	3000K	92	23W	2815	27W	2505	92	2045213	2045216																																																																																																																																																				
Vinci M Pro 3000lm FL 930	Flood 40°	3000K	92	23W	2815	27W	2505	92	2045214	2045217																																																																																																																																																				
<table border="1"> <thead> <tr> <th colspan="2">Spot</th> <th colspan="2">2000lm</th> <th colspan="2">3000lm</th> </tr> <tr> <th>m</th> <th>∅</th> <th>Lux</th> <th>Lux</th> <th>m</th> <th>∅</th> <th>Lux</th> <th>Lux</th> </tr> </thead> <tbody> <tr> <td>1</td> <td>0,24</td> <td>11244</td> <td>15775</td> <td>1</td> <td>0,42</td> <td>6824</td> <td>9659</td> </tr> <tr> <td>2</td> <td>0,43</td> <td>2811</td> <td>3944</td> <td>2</td> <td>0,84</td> <td>2415</td> <td>2415</td> </tr> <tr> <td>3</td> <td>0,70</td> <td>1249</td> <td>1753</td> <td>3</td> <td>1,25</td> <td>1073</td> <td>1073</td> </tr> <tr> <td>4</td> <td>1,00</td> <td>703</td> <td>986</td> <td>4</td> <td>1,70</td> <td>604</td> <td>604</td> </tr> </tbody> </table>						Spot		2000lm		3000lm		m	∅	Lux	Lux	m	∅	Lux	Lux	1	0,24	11244	15775	1	0,42	6824	9659	2	0,43	2811	3944	2	0,84	2415	2415	3	0,70	1249	1753	3	1,25	1073	1073	4	1,00	703	986	4	1,70	604	604	<table border="1"> <thead> <tr> <th colspan="2">Medium</th> <th colspan="2">2000lm</th> <th colspan="2">3000lm</th> </tr> <tr> <th>m</th> <th>∅</th> <th>Lux</th> <th>Lux</th> <th>m</th> <th>∅</th> <th>Lux</th> <th>Lux</th> </tr> </thead> <tbody> <tr> <td>1</td> <td>0,42</td> <td>6824</td> <td>9659</td> <td>1</td> <td>0,74</td> <td>3237</td> <td>4539</td> </tr> <tr> <td>2</td> <td>0,84</td> <td>2415</td> <td>2415</td> <td>2</td> <td>1,42</td> <td>809</td> <td>1135</td> </tr> <tr> <td>3</td> <td>1,25</td> <td>1073</td> <td>1073</td> <td>3</td> <td>2,18</td> <td>360</td> <td>504</td> </tr> <tr> <td>4</td> <td>1,70</td> <td>604</td> <td>604</td> <td>4</td> <td>2,91</td> <td>202</td> <td>284</td> </tr> </tbody> </table>						Medium		2000lm		3000lm		m	∅	Lux	Lux	m	∅	Lux	Lux	1	0,42	6824	9659	1	0,74	3237	4539	2	0,84	2415	2415	2	1,42	809	1135	3	1,25	1073	1073	3	2,18	360	504	4	1,70	604	604	4	2,91	202	284	<p>3000K 930 Spectral power distributions</p>																																																						
Spot		2000lm		3000lm																																																																																																																																																										
m	∅	Lux	Lux	m	∅	Lux	Lux																																																																																																																																																							
1	0,24	11244	15775	1	0,42	6824	9659																																																																																																																																																							
2	0,43	2811	3944	2	0,84	2415	2415																																																																																																																																																							
3	0,70	1249	1753	3	1,25	1073	1073																																																																																																																																																							
4	1,00	703	986	4	1,70	604	604																																																																																																																																																							
Medium		2000lm		3000lm																																																																																																																																																										
m	∅	Lux	Lux	m	∅	Lux	Lux																																																																																																																																																							
1	0,42	6824	9659	1	0,74	3237	4539																																																																																																																																																							
2	0,84	2415	2415	2	1,42	809	1135																																																																																																																																																							
3	1,25	1073	1073	3	2,18	360	504																																																																																																																																																							
4	1,70	604	604	4	2,91	202	284																																																																																																																																																							
NEUTRAL WHITE 4000K (840)																																																																																																																																																														
Vinci M Pro 2000lm SP 840	Spot 14°	4000K	82	16W	2405	19W	2140	113	2045106	2045109																																																																																																																																																				
Vinci M Pro 2000lm ME 840	Medium 26°	4000K	82	16W	2405	19W	2140	113	2045107	2045110																																																																																																																																																				
Vinci M Pro 2000lm FL 840	Flood 40°	4000K	82	16W	2405	19W	2140	113	2045108	2045111																																																																																																																																																				
Vinci M Pro 3000lm SP 840	Spot 14°	4000K	82	23W	3390	27W	3020	111	2045206	2045209																																																																																																																																																				
Vinci M Pro 3000lm ME 840	Medium 26°	4000K	82	23W	3390	27W	3020	111	2045207	2045210																																																																																																																																																				
Vinci M Pro 3000lm FL 840	Flood 40°	4000K	82	23W	3390	27W	3020	111	2045208	2045211																																																																																																																																																				
<table border="1"> <thead> <tr> <th colspan="2">Spot</th> <th colspan="2">2000lm</th> <th colspan="2">3000lm</th> </tr> <tr> <th>m</th> <th>∅</th> <th>Lux</th> <th>Lux</th> <th>m</th> <th>∅</th> <th>Lux</th> <th>Lux</th> </tr> </thead> <tbody> <tr> <td>1</td> <td>0,24</td> <td>13487</td> <td>19046</td> <td>1</td> <td>0,42</td> <td>8177</td> <td>11541</td> </tr> <tr> <td>2</td> <td>0,43</td> <td>3372</td> <td>4762</td> <td>2</td> <td>0,84</td> <td>2044</td> <td>2885</td> </tr> <tr> <td>3</td> <td>0,70</td> <td>1499</td> <td>2116</td> <td>3</td> <td>1,25</td> <td>909</td> <td>1282</td> </tr> <tr> <td>4</td> <td>1,00</td> <td>843</td> <td>1190</td> <td>4</td> <td>1,70</td> <td>511</td> <td>721</td> </tr> </tbody> </table>						Spot		2000lm		3000lm		m	∅	Lux	Lux	m	∅	Lux	Lux	1	0,24	13487	19046	1	0,42	8177	11541	2	0,43	3372	4762	2	0,84	2044	2885	3	0,70	1499	2116	3	1,25	909	1282	4	1,00	843	1190	4	1,70	511	721	<table border="1"> <thead> <tr> <th colspan="2">Medium</th> <th colspan="2">2000lm</th> <th colspan="2">3000lm</th> </tr> <tr> <th>m</th> <th>∅</th> <th>Lux</th> <th>Lux</th> <th>m</th> <th>∅</th> <th>Lux</th> <th>Lux</th> </tr> </thead> <tbody> <tr> <td>1</td> <td>0,42</td> <td>8177</td> <td>11541</td> <td>1</td> <td>0,74</td> <td>3881</td> <td>5262</td> </tr> <tr> <td>2</td> <td>0,84</td> <td>2044</td> <td>2885</td> <td>2</td> <td>1,42</td> <td>970</td> <td>1316</td> </tr> <tr> <td>3</td> <td>1,25</td> <td>909</td> <td>1282</td> <td>3</td> <td>2,18</td> <td>431</td> <td>585</td> </tr> <tr> <td>4</td> <td>1,70</td> <td>511</td> <td>721</td> <td>4</td> <td>2,91</td> <td>243</td> <td>329</td> </tr> </tbody> </table>						Medium		2000lm		3000lm		m	∅	Lux	Lux	m	∅	Lux	Lux	1	0,42	8177	11541	1	0,74	3881	5262	2	0,84	2044	2885	2	1,42	970	1316	3	1,25	909	1282	3	2,18	431	585	4	1,70	511	721	4	2,91	243	329	<p>4000K 840 Spectral power distributions</p>																																																						
Spot		2000lm		3000lm																																																																																																																																																										
m	∅	Lux	Lux	m	∅	Lux	Lux																																																																																																																																																							
1	0,24	13487	19046	1	0,42	8177	11541																																																																																																																																																							
2	0,43	3372	4762	2	0,84	2044	2885																																																																																																																																																							
3	0,70	1499	2116	3	1,25	909	1282																																																																																																																																																							
4	1,00	843	1190	4	1,70	511	721																																																																																																																																																							
Medium		2000lm		3000lm																																																																																																																																																										
m	∅	Lux	Lux	m	∅	Lux	Lux																																																																																																																																																							
1	0,42	8177	11541	1	0,74	3881	5262																																																																																																																																																							
2	0,84	2044	2885	2	1,42	970	1316																																																																																																																																																							
3	1,25	909	1282	3	2,18	431	585																																																																																																																																																							
4	1,70	511	721	4	2,91	243	329																																																																																																																																																							

# VINCI M PRO

Description	Reflector	CCT (K)	CRI	Load	Lumen	Load	Lumen	Lm/W	○ White	● Black
LIGHTSOURCE						LUMINAIRE			ART. No.	
NEUTRAL WHITE 4000K (940)										
Vinci M Pro 2000lm SP 940	Spot 14°	4000K	92	16W	2185	19W	1945	103	2045150	2045154
Vinci M Pro 2000lm ME 940	Medium 26°	4000K	92	16W	2185	19W	1945	103	2045151	2045155
Vinci M Pro 2000lm FL 940	Flood 40°	4000K	92	16W	2185	19W	1945	103	2045152	2045156
Vinci M Pro 3000lm SP 940	Spot 14°	4000K	92	23W	3040	27W	2705	100	2045250	2045254
Vinci M Pro 3000lm ME 940	Medium 26°	4000K	92	23W	3040	27W	2705	100	2045251	2045255
Vinci M Pro 3000lm FL 940	Flood 40°	4000K	92	23W	3040	27W	2705	100	2045252	2045256

Spot				Medium				Flood			
2000lm		3000lm		2000lm		3000lm		2000lm		3000lm	
m	∅	Lux	Lux	m	∅	Lux	Lux	m	∅	Lux	Lux
1	0,24	12227	17055	1	0,42	7428	10345	1	0,74	3523	4915
2	0,43	3057	4264	2	0,84	1857	2586	2	1,42	881	1229
3	0,70	1359	1895	3	1,25	825	1149	3	2,18	391	546
4	1,00	764	1066	4	1,70	464	647	4	2,91	220	307

4000K 940 Spectral power distributions

## VINCI M PRO - Dedicated solutions

Description	Reflector	CCT (K)	CRI	Load	Lumen	Load	Lumen	Lm/W	○ White	● Black
LIGHTSOURCE						LUMINAIRE			ART. No.	
WARMWHITE 2700K (927) CRI 92 - Hotels, restaurants										
Vinci M Pro 2500lm 927	Spot 14°	2700K	92	23W	2590	27W	2310	85	2045126	2045129
Vinci M Pro 2500lm 927	Medium 26°	2700K	92	23W	2590	27W	2310	85	2045127	2045130
Vinci M Pro 2500lm 927	Flood 40°	2700K	92	23W	2590	27W	2310	85	2045128	2045131

Spot 14°			Medium 26°			Flood 40°		
m	∅	Lux	m	∅	Lux	m	∅	Lux
1	0,24	13141	1	0,42	7971	1	0,74	3781
2	0,43	3285	2	0,84	1993	2	1,42	945
3	0,70	1460	3	1,25	886	3	2,18	420
4	1,00	821	4	1,70	498	4	2,91	236

2700K 827 Spectral power distributions

Luminous flux and connected electrical load are subject to an initial tolerance of +/- 5%. Tolerance of colour temperature: +/- 150 K. Tolerance of CRI +/- 1,5. Values apply to an ambient temperature of 25°C.